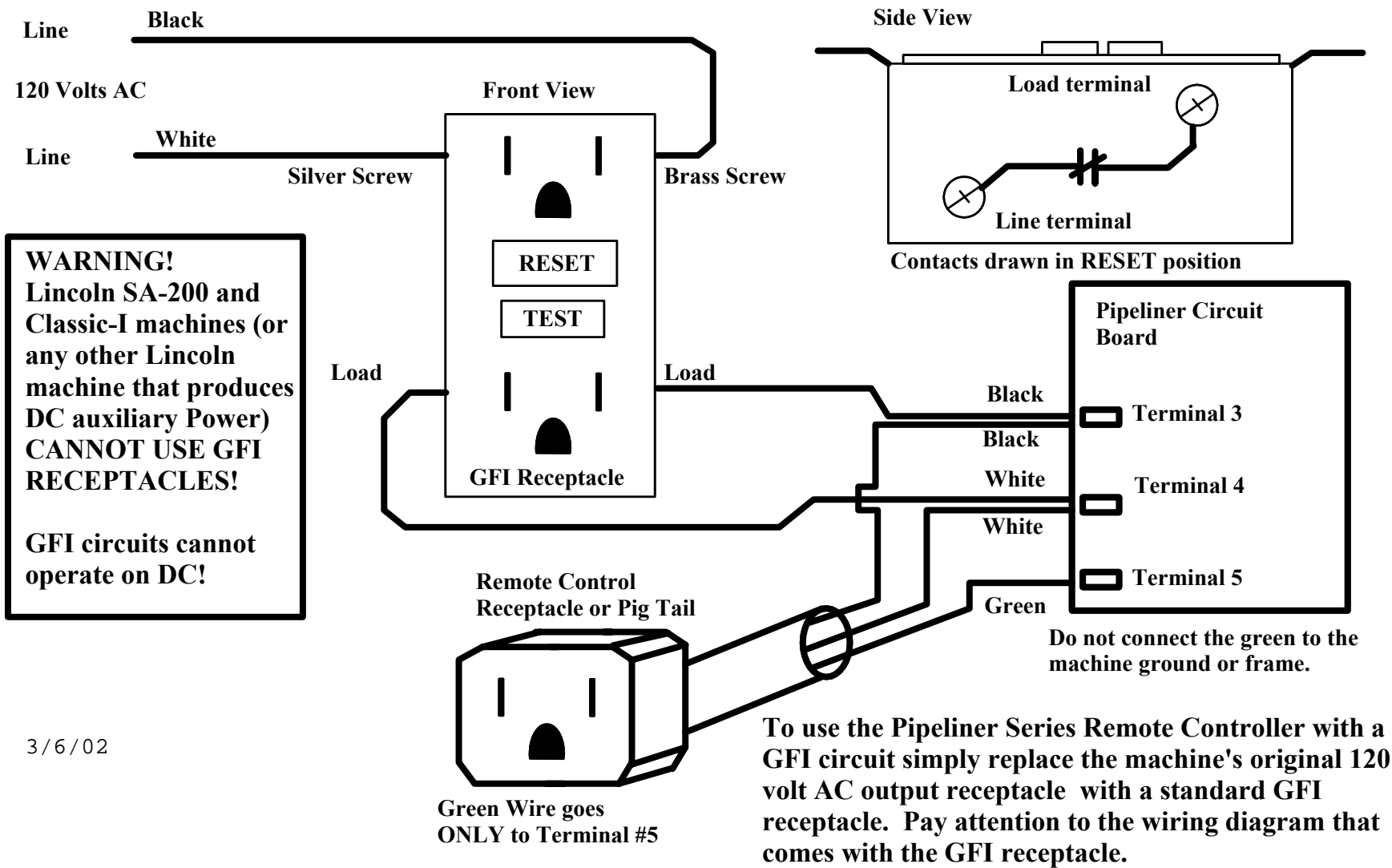


Installing a Pipeliner Remote Control to a machine GFI circuit.



3/6/02

When installed correctly the Pipeliner Remote hand control unit will be protected by the machine's GFI receptacle since the load side of the GFI also is connected to the Pipeliner hand control.